

Three Phase Solar Inverter-Charger*

*For Parallel PIP-HS/MS only

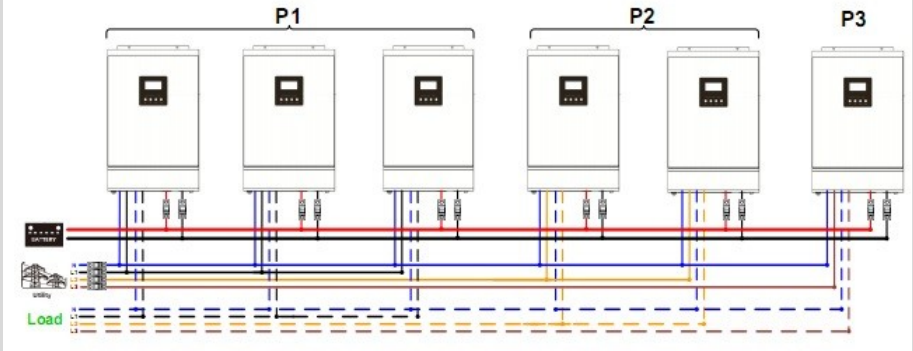
FEATURES & REQUIREMENT

- Applicable only to PIP-HS or MS parallel-ready models (48V only)
- Require 3 to 6 units of PIP-HS or MS set up in a 3-phase configuration
- Optional Parallel Kit needs to be installed on each inverter
- All inverters in a parallel system must use the same set of battery
- When installing multiple units, >50cm of space between unit is recommended to allow ventilation
- Supports 3-Phase 3-IN/3-OUT operation only (no 3-IN/1-OUT)
- Maximum 24kw output based on max 6 units parallel (4kw/unit)
- Breaker should be installed at each "hot" wire (L1, L2, and L3)
- Ensure lengths of all AC input wires are about the same to have even sharing of current

WIRING CONCEPT

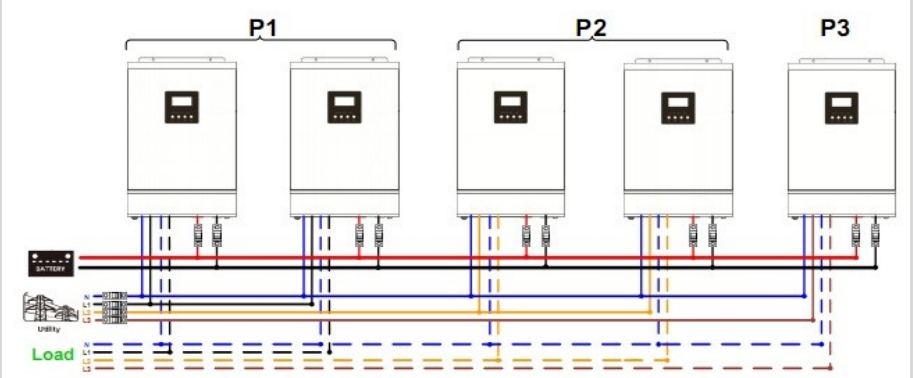
Three inverters in one phase, two inverters in second phase and one inverter for the third phase:

Power Connection



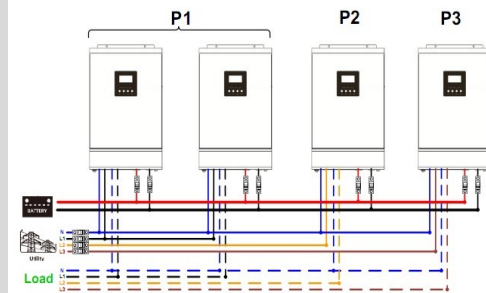
Two inverters in two phases and only one inverter for the remaining phase:

Power Connection



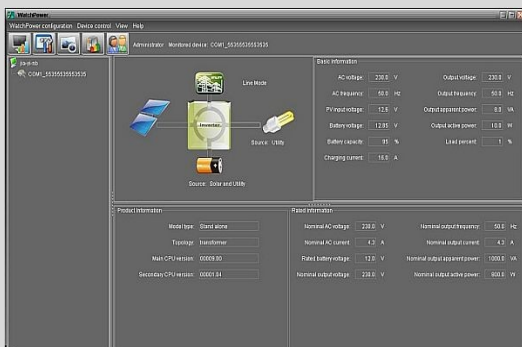
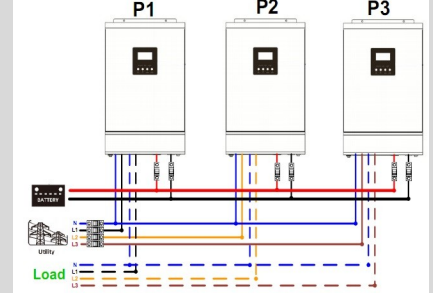
Two inverters in one phase and only one inverter for the remaining phases:

Power Connection



One inverter in each phase:

Power Connection



MONITORING SOFTWARE — WATCHPOWER

*Product specifications are subject to change without prior notice. ARM Solar is a registered trademark of ARM Solar Inc.
 ** Transfer time may be longer (30ms) when used in parallel configuration and this may cause interruption in certain load.