

SINGLE PHASE INDUSTRIAL GRADE UPS / INVERTER (SP Series)

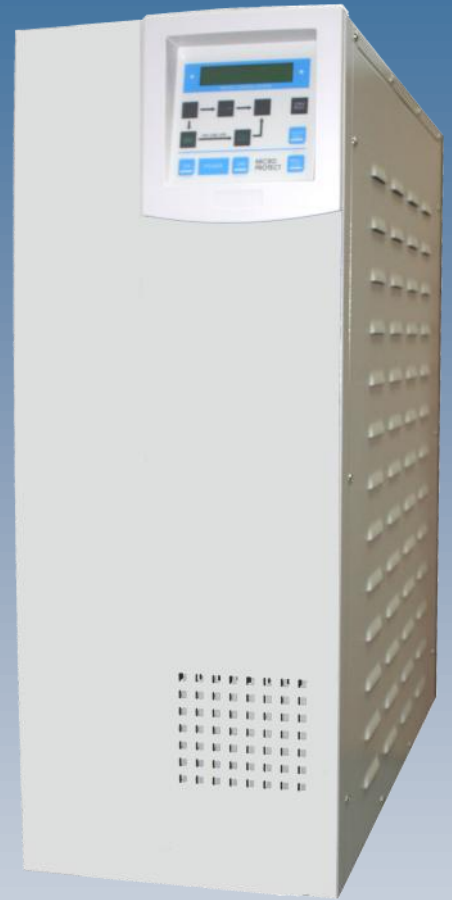
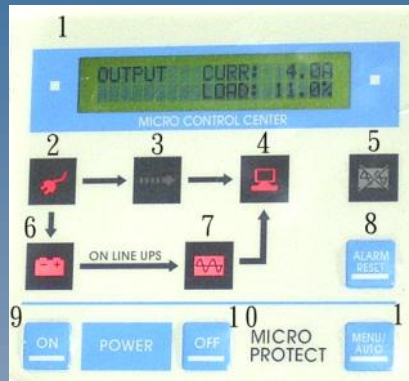
ONLINE UPS / INVERTER

LARGE LCD DISPLAY

DC CUSTOMIZABLE

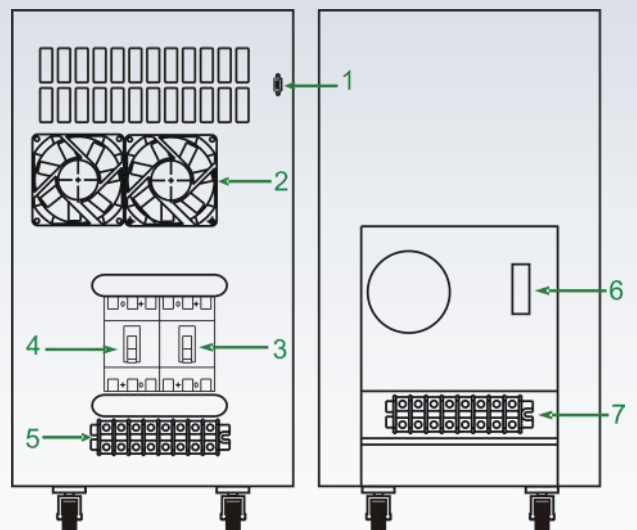
DC START CAPABILITY

SINGLE PHASE ONLY



MAIN FEATURES:

- True ON-LINE system, ensuring continuous supply without any interruption.
- Durable low-frequency design with high non-linear load current capability (crest ratio 3:1), suitable for switching power loads.
- Available from 4~20kva — fully customizable specification made to order.
- Modularized IGBT infrastructure to ensure better durability
- Available in single phase only
- Automatic transfer to AC in overload conditions within 4ms
- Customizable DC voltage: 48V, 96V, 120V... 192V
- True galvanic isolation design to avoid ground current leakage.
- Intelligent battery charger to ensure battery longevity
- Robust design allows use in harsh conditions and 24/7 continuous application.
- Up to 87% peak efficiency.
- Reliable input surge protection and EMI suppression.
- Cold start function (DC-start) functionality allows unit to operate with only battery.
- DB9/RS232 communication interface allows software monitoring





INPUT/RECTIFIER SPECIFICATION		SP SERIES					
Rating (KVA)	4	5	6	8	10	15	20
Input Voltage	180V~280V (230V) / 90V ~149V (115V)						
Input Frequency	50 or 60Hz ± 5%						
Input Power Factor	0.8						
Input Phase	1Ø 2W+G / 3Ø 3W+G / 3Ø 4W+G (based on request)						
OUTPUT/INVERTER SPECIFICATION							
Output Voltage	115V or 230V ± 2%						
Output Phase	1Ø 2W+G (as client demand)						
Voltage Regulation	± 1% at liner load						
Frequency	50 or 60Hz ± 0.5Hz						
Waveform Distortion	<3% at full load.						
Crest Factor	3 : 1						
Overload Capacity	100%-124% continuous, 125% -150% for 25 seconds						
Peak Efficiency	87% at battery fully charge						
GENERAL SPECIFICATIONS							
Battery Type	Rechargeable, Sealed Maintenance Free Lead Acid Type						
Battery Setup	Standard 16*12V =192V (customizable based on request)						
Transfer Time (Main <-> Inverter)	No Break						
LCD Indicator	Input/Output & Battery Voltage, Frequency, Output Load, Operation Temperature						
LED Indicator	Mimic display						
Audible Alarms	Mains Fail: every 4 seconds after line fails Battery Low: every second when approaches battery low level. UPS Fault: continuous alarm						
Protections	When a short circuit occurs, the UPS will not transfer to Bypass but emit a sustained tone. Once the short circuit is removed, the tone stops and the whole system operates normally again. The UPS stops supplying power if the period of a short circuit is longer than 3 seconds.						
Lightning and Surge Protection	Yes						
Communication Port	RS-232 or DB9						
Audible Noise Level	55dB, ANSI A scale at 3 feet.						
Operating Humidity	90% maximum at 25°C non-condensing.						
Operating Temp & Altitude	40°C (104°F): 0 ~ 4800ft 38°C (100.4°F): 4800 ~ 7000ft 35°C (95°F): 7000 ~ 10000ft						
Dimension (mm)	260*800*660			260*900*660		310*900*660	360*740*870
Weight (Kg), without battery	120	130	160	190	320	190	230